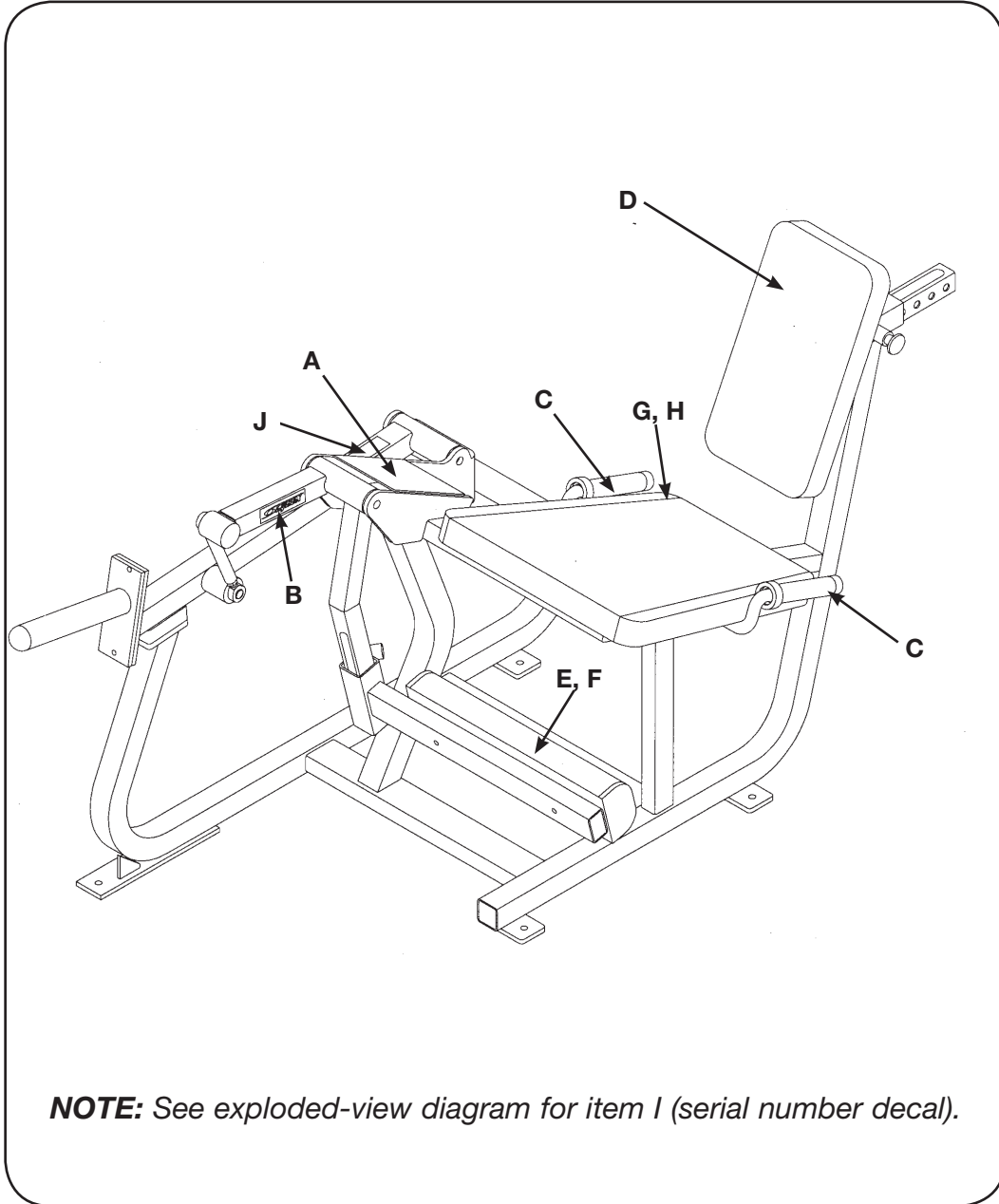


LEG EXTENSION

PRODUCT NO. 5230



NOTE: See exploded-view diagram for item I (serial number decal).

DESCRIPTION	PART NO.	DESCRIPTION	PART NO.
A. Placard Decal	5230-317	F. Wear Cover	██████████
B. Cybox Decal Black	3900-445	G. Seat Cushion with Wear Cover (Item H)	4107S085-0
B. Cybox Decal Silver	3900-446	H. Wear Cover	4106S079-0
C. Hand Grip	4605-507	I. Serial Number Decal	
D. Back Cushion	4800-115	J. Warning Decal.....	5220-364
E. Seat Cushion with Wear Cover (Item F)	4800-006		

Cybox Plate Loaded Owner's Manual

5230 - Leg Extension

ITEM	QTY	PART NO.	DESCRIPTION
1	1	01442	Machined Bumper
2	1	01692	Threaded Insert
3	1	01694	Corner Bracket
4	1	5230-211	Handle Subassembly
5	1	11060-002	Leg Bar
6	1	11040-440	Knob
7	1	08229	Detent Pin
8	1	5230-210	Left Handle Subassembly
9	1	5220-305	Bumper 2.00 x 4.00
10	2	5220-320	Pivot Shaft
11	1	5230-200	Frame
12	1	5230-206	Cushion Mount
13	1	5230-204	Weight Tube
14	1	5230-208	Leg
15	1	5230-315	Rod End Link
16	1	5320-209	Weight Bracket
17	1	5330M040	Plug
18	1	5410M012	Machined Bumper
19	4	BR030210	Retaining Ring 17 mm
20	1	BS070201	Com Spring .56 ID x .66 OD x 1.50
21	2	FB030207	Male Rod End Bearing .500-20
22	4	FB030232	Radial Bearing 17 mm
23	2	HC702815	SHCS .375-16 x .75
24	2	HN784900	Nylon Locknut .500-13
25	2	HS108000	Nylon Washer .190 x .435 x .128 T
26	2	JC570412	BHSCS .190/10-24 x .50
27	4	JC700920	FHSCS .375-16 x 1.25
28	2	JC782820	SHCS .500-13 x 1.25
29	2	JC702836	SHCS .375-16 x 3.25
30	2	JN794400	Jam Nut .500-20
31	1	PP090200	Plastic Insert
32	1	PP090210	Plastic Insert
33	1	PP090202	Plastic Insert
34	2	JC700930	FHSCS .375-16 x 2.50
35	2	HC702830	SHCS .375-16 x 2.25
36			Removed
37	4	HN704901	Nylon Locknut .375-16
38	1	5230-317	Placard Decal
39			Removed 7-03
39	2	3900-445	Cybox Decal 1.00 Horiz. Black
39	2	3900-446	Cybox Decal 1.00 Horiz. Silver
40	1	PP090001	Plastic Insert 1.50 x 2.50 x 11 G
41	1	4800-445	Back Cushion
42	1		Leg Cushion with Wear Cover
43	1		Wear Cover
44	1	4106S079-0	Seat Cushion with Wear Cover
45	1	4106S079-0	Wear Cover
46	2	4605-507	Hand Grip
47	1	5220-364	Warning Decal
48	1	5230-319	Adjusting Tube Decal
49	1	5226-319	Adjusting Tube Decal
50	2	11090-374	End Cap
51	2	11090-376	Handle Grip Ring
52	1	51198	Strength Warranty Sheet (not shown)
53	2	HF449063	Insert
54	2	JC620422	BHSCS .250-20 x 1.50
55	2	JS347400	Internal Tooth Lockwasher

5230 - Leg Extension

